

## Standard Preparation Sink for Dishwasher with 2 Bowls & Right Drain

ITEM # \_\_\_\_\_

MODEL # \_\_\_\_\_

NAME # \_\_\_\_\_

SIS # \_\_\_\_\_

AIA # \_\_\_\_\_


**133195 (NDBD1617R)**

 Sink Unit for Undercounter  
 Dishwasher with 2 bowls  
 500x500mm and right hand  
 drainer, 1600mm

### Short Form Specification

**Item No.** \_\_\_\_\_

Entirely made from stainless steel. The 50mm high worktop in 304 AISI stainless steel, 1mm in thickness, has an overflow rim and welded corners. Integral rear upstand, h=100mm, with 10mm radius. All-round apron (except where the dishwasher is placed). Square section legs 40x40mm on 1" height-adjustable feet (+/-20mm) N. 2 bowls mm400x500x300h with overflow pipe and 2" drain hole; drainer (on the right hand side) with void under space to lodge an undercounter dishwasher.

### Main Features

- Sturdiness, stability and reliability of table accurately tested.

### Construction

- Sink tops easily slotted onto the legs and taps are easily installed from the rear.
- 100 mm upstand with 8 mm radiused corner and 13 mm deep, designed to be used against a wall.
- 50 mm worktop in 304 AISI stainless steel, 10/10 in thickness with overflow rim along the top.
- Bottom part of drain left free to house an undercounter dishwasher.
- Wide range of taps are available to suit every need.
- Drainage area suitable for drying operations
- 100 mm upstand with 10 mm radiused corner and 13 mm deep, designed to be used against a wall.

### Optional Accessories

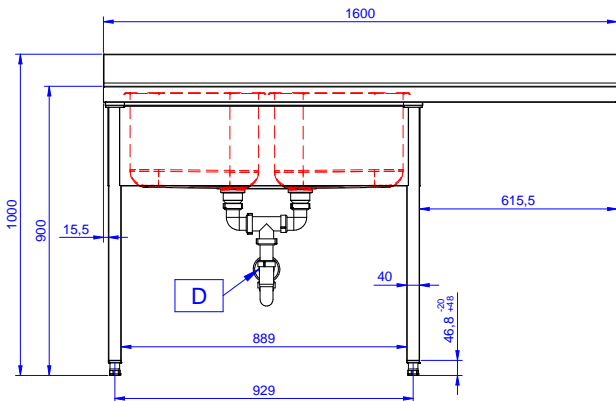
- Lower shelf for 1000 mm tables PNC 855144   
and sinks and for 1600 mm  
undercounter dishwasher sinks
- Set of 4 wheels (2 with brake) PNC 855150   
d. 100mm for tables and sinks  
(total height on wheels= 993  
mm)
- 3-sided underframe for PNC 855151   
1000mm tables
- Mixer tap with swivel spout PNC 855319   
3/4", single hole
- Elbow operated mixer tap with PNC 855322   
spout 3/4", single hole
- Elbow operated mixer tap with PNC 855323   
short spout 3/4", single hole
- Elbow operated tap with PNC 855324   
spray arm and spout, single  
hole
- HD mixer tap with spray arm PNC 855326   
3/4", single hole
- Foot operated mixer tap (hot PNC 855328   
and cold) with spout 3/4"

**APPROVAL:** \_\_\_\_\_

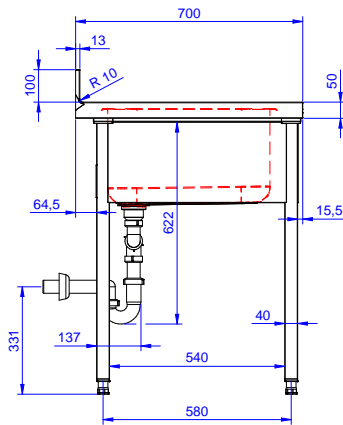
### Key Information:

External dimensions, Width:	133195 (NDBD1617R)	1600 mm
External dimensions, Depth:		700 mm
External dimensions, Height:		1000 mm
Upstand Dimensions, Height:		100 mm
Upstand Dimensions, Depth:		13 mm
Upstand Dimensions, Radius:		R=14
Bowls number		2
Bowl dimensions		400X500XH250
Worktop thickness:		0 mm
Net weight:		51 kg

Front



Side



Top

